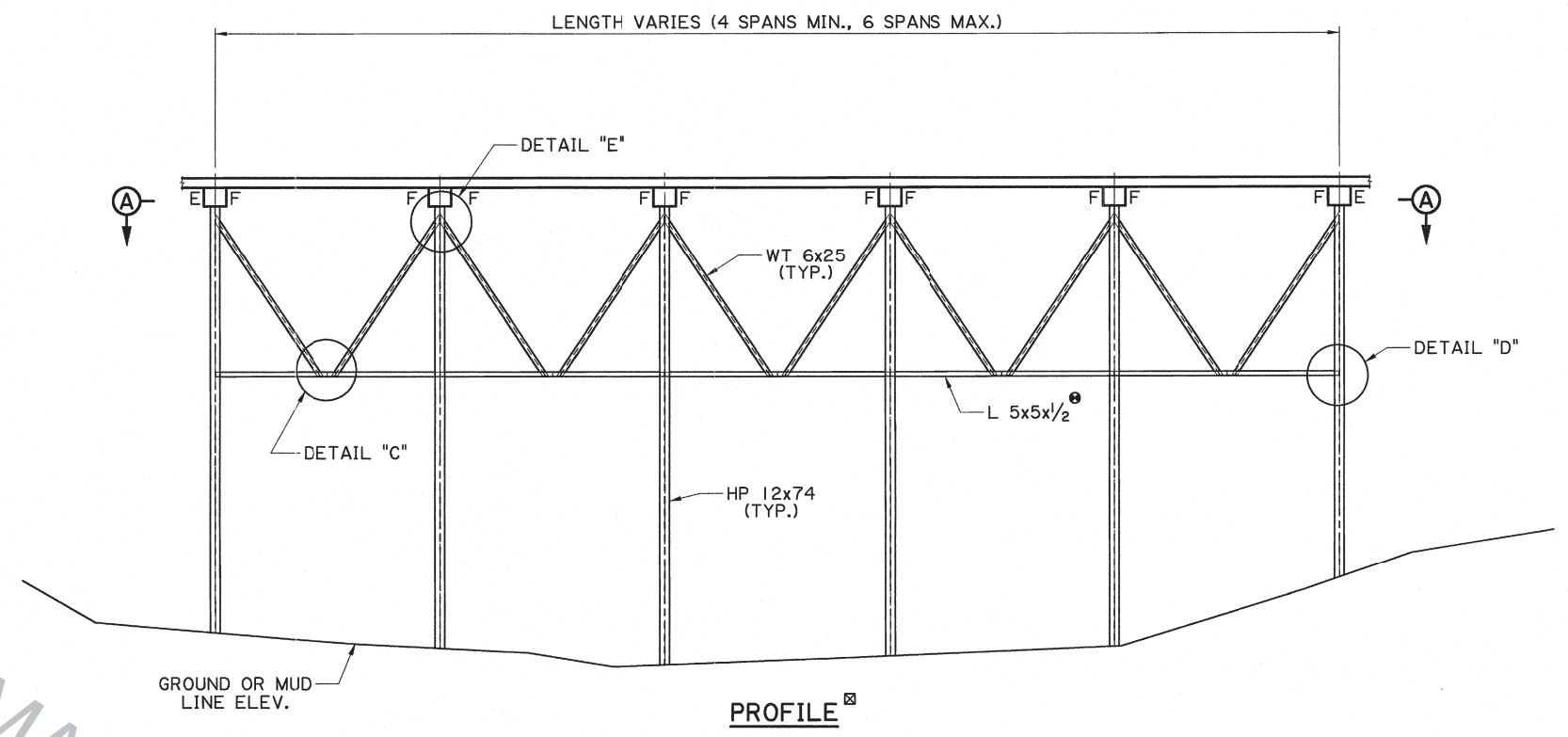
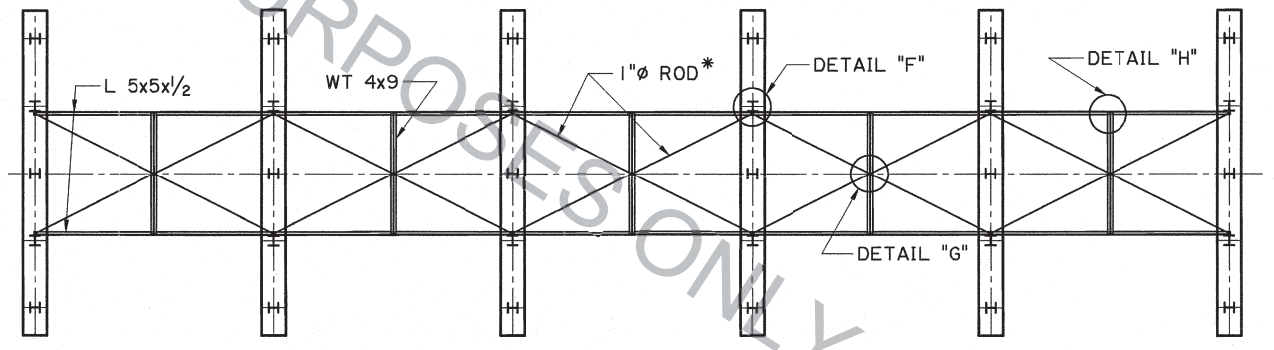


TYPICAL SECTION ☒
CASE 4 SHOWN



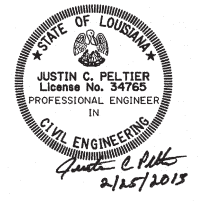
PROFILE ☒





SECTION A-A ☒

NOTES:

- ☒ REPLACE STEEL H-PILES WITH STEEL PIPE PILES, WHEN PIPE PILES ARE USED.
- * NO. 8 BARS MAY BE USED IN LIEU OF 1" #64 ROD.
- IF A BUTT SPLICE IS REQUIRED, IT SHALL BE LOCATED AT A PILE.



SHEET NUMBER	
DESIGNED	J. PELTIER
CHECKED	M. HEBERT
REVIEWED	P. VAUGHT
DATE	5 OF 16
PROJECT	BRIDGE 8
SECTION	STRUCTURAL DESIGN
PARISH	
CONTROL	
STATE	
REVISION OR CHANGE ORDER DESCRIPTION	BY
NO.	DATE
	
SWAY BRACING DETAILS	
BD.2.B.1.0.05 PRECAST PANEL DETOUR BRIDGE	
	
BRIDGE 8 STRUCTURAL DESIGN	